

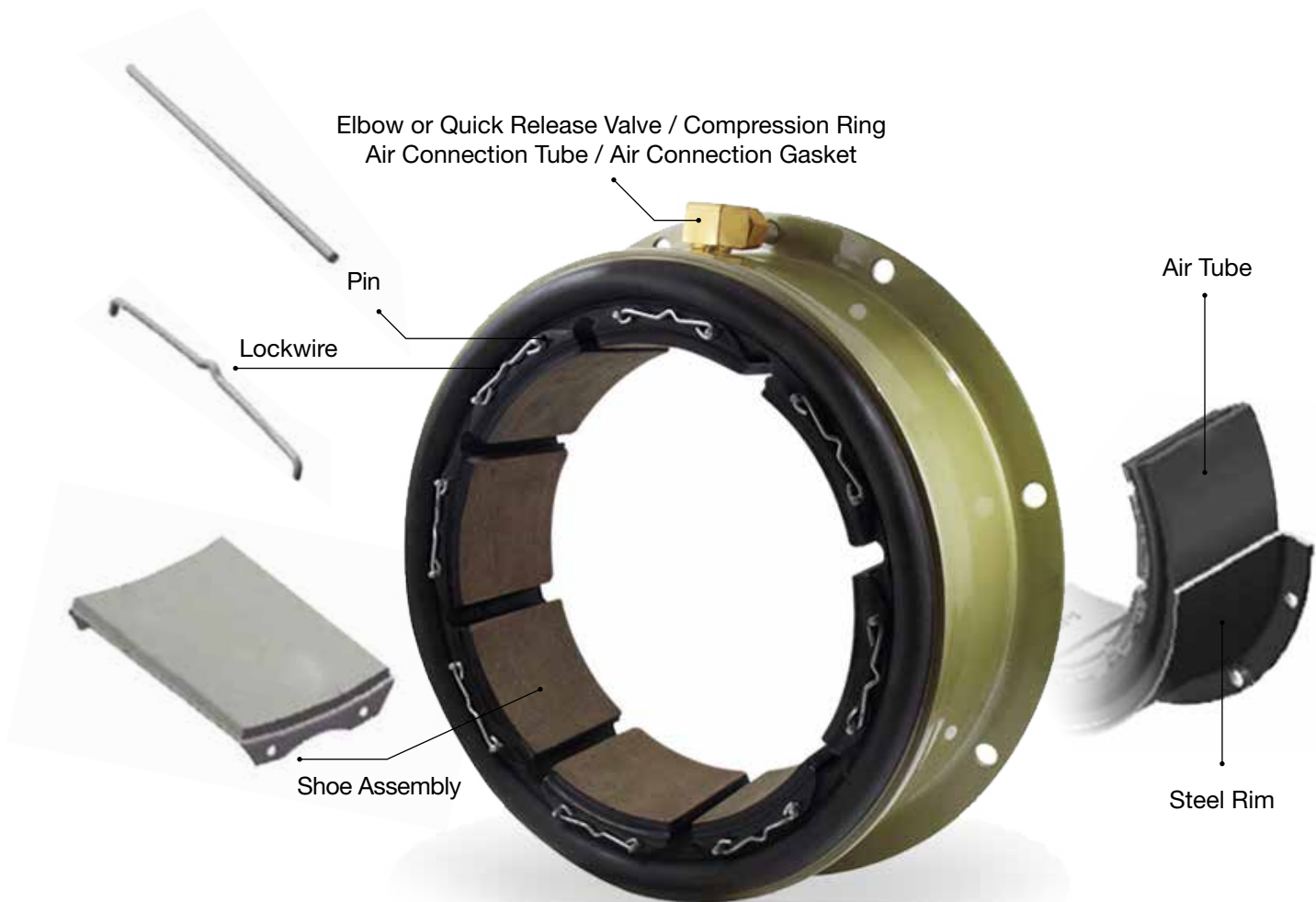


Serie/Series

CB

**Radial Clutch
With Pneumatic Control**



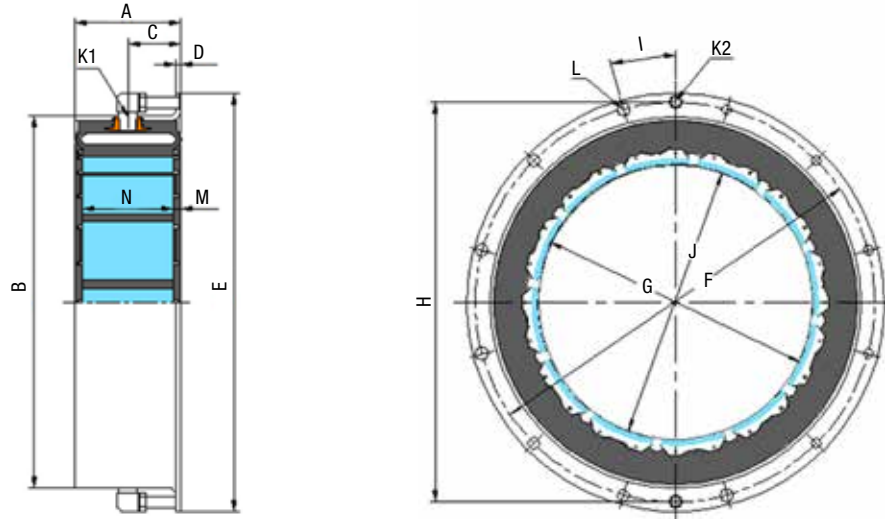


The CB series consists of clutches with a radial connection tube. It is designed to achieve high performance in the Marine, Offshore, Oil & Gas, etc. sectors... These products are 100% interchangeable with those available on the market.

Specially designed and built to provide dependable clutch or brake service in the most exacting industry, the CB series is suited to high speed, cycle operation, as for coupling and general power transmission.

Where CB series is used:

- Making Machinery
- Commercial Laundry Equipment
- Metal Forming Machinery
- Oil Field Machinery
- Printing Machinery
- Rubber Processing Machinery
- Tire Building Machinery
- Rubber Processing Machinery
- Tire Building Machinery

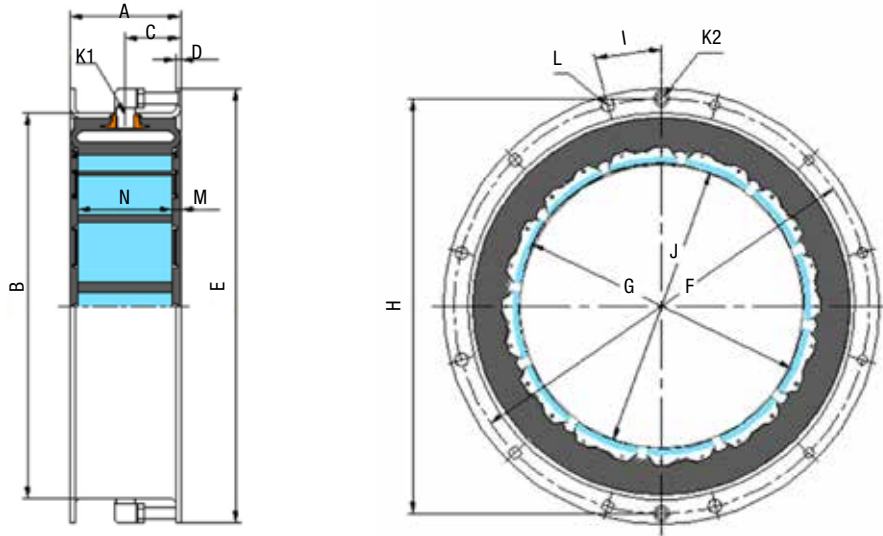
CB**SINGLE CB - SINGLE FLANGE**
Size 3 to 14

Size	(Unit)	3CB150	4CB200	5CB200	6CB200	8CB250	10CB300	12CB350	14CB400
A	in	2.16	2.63	2.85	2.94	3.44	4.13	4.72	5.22
	mm	55	67	72	75	87	105	120	133
B	in	4.86	5.81	7.2	9.06	11.19	13.63	15.88	17.88
	mm	123	148	183	230	284	346	403	454
C	in	1.18	1.38	1.5	1.56	1.91	2	2	2
	mm	30	35	38	40	48	51	51	51
D	in	0.1	0.09	0.1	0.09	0.09	2	2	2
	mm	2	2	2	2	2	5	5	5
ØE	in	6.299	7.248	8.819	10.752	12.875	15.373	17.625	19.625
	mm	160	184.1	224	273.1	327	390.5	447.7	498.5
ØF	in	5.748	6.688	8.071	10	12.125	14.625	16.875	18.875
	mm	146	169.9	205	254	308	371.5	428.6	479.4
ØG	in	3.15	4.13	5.16	6.16	8.16	10.13	12.13	14.13
	mm	80	105	131	156	207	257	308	359
ØH	in	5.75	6.69	8.07	10	12.13	14.63	16.88	18.88
	mm	146	170	205	254	308	371	429	479
I	deg.	22.5	22.5	22.5	22.5	22.5	15	12.857	11.25
ØJ(Min.)	in	2.9	3.9	4.9	5.9	7.9	9.9	11.9	13.9
	mm	74	99	124	150	201	251	302	353
K1	Dia.	NPT	1/8-27	1/8-27	1/8-27	3/8-18	3/8-18	3/8-18	3/8-18
	Qty.	N°	2	2	2	2	2	2	2
K2	in	0.28	0.19	0.29	0.31	0.31	0.31	0.31	0.31
	mm	7	5	7	8	8	8	8	8
L	Dia.	in	0.25	0.25	0.31	0.38	0.38	0.38	0.38
	mm	6	6	8	10	10	10	10	10
Qty.	N°	8	8	8	8	8	12	14	16
M	in	0.35	0.38	0.48	0.56	0.56	0.69	0.69	0.69
	mm	9	10	12	14	14	17	17	17
N	in	1.5	2	2	2	2.5	3	3.5	4
	mm	38	51	51	51	64	76	89	102
Max. Speed	rpm	2000	2000	2000	1800	1800	1800	1800	1800
Centrifuge Loss	psi/rpm ²	1.50E-06	1.70E-06	2.0E-06	6.0E-06	7.0E-06	10.0E-06	12.0E-06	15.0E-06
	bar/rpm ²	0.10E-06	0.12E-06	0.14E-06	0.41E-06	0.48E-06	0.69E-06	0.83E-06	1.04E-06
Air Tube Cavity	in ³	7	10	17	19	30	50	80	70
	dm ³	0.12	0.17	0.28	0.32	0.49	0.82	1.31	1.15
Lining Thickness	New	in	0.2	0.12	0.2	0.14	0.12	0.2	0.2
	mm	5	3	5	4	3	5	5	5
Worn	in	0.04	0.04	0.04	0.06	0.06	0.06	0.06	0.06
	mm	1	1	1	2	2	2	2	2
Weight	lb	1.8	2.5	3.5	7	9	19	26	31
	kg	0.8	1.1	1.6	3.2	4.1	8.6	12	14
Inertia	lbft ²	0.1	0.2	0.4	1	2	6	11	17
	kgm ²	0.01	0.01	0.02	0.04	0.08	0.25	0.46	0.71
Rated Torque at 5.2 bar	lb-in	360	1000	1460	2040	4290	8150	13300	19700
	N-m	40.7	113	165	231	485	921	1500	2230

CB

SINGLE CB - DUAL FLANGE

Size 12 to 24

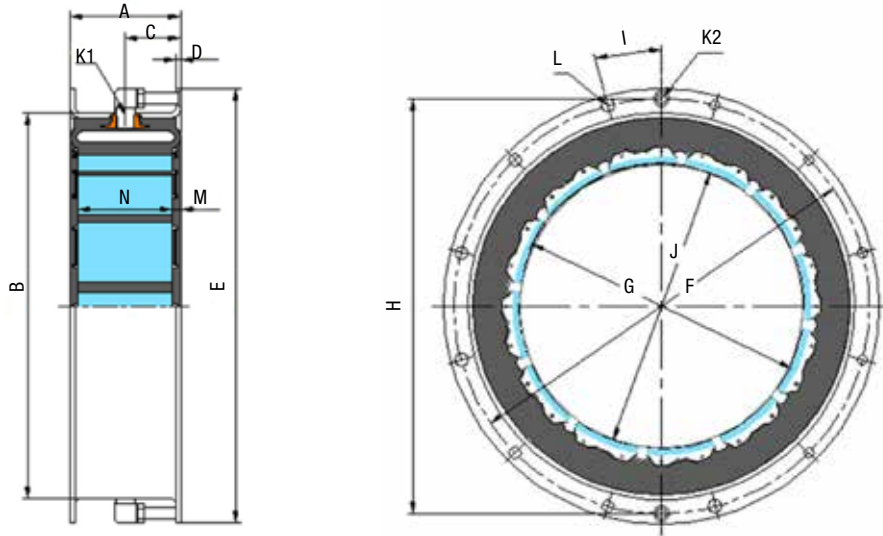


Size	(Unit)	12CB350	14CB400	16CB500	18CB500	20CB500	22CB500	24CB500
A	in	4.88	5.38	6.63	6.63	6.63	6.63	6.63
	mm	124	137	168	168	168	168	168
B	in	15.88	17.88	20.75	22.75	24.75	26.75	28.75
	mm	403	454	527	578	629	679	730
C	in	2	2	2.5	2.5	2.5	2.5	2.5
	mm	51	51	64	64	64	64	64
D	in	0.19	0.19	0.19	0.19	0.19	0.19	0.19
	mm	5	5	5	5	5	5	5
ØE	in	17.625	19.625	23.5	25.5	27.5	29.5	31.5
	mm	447.7	498.5	596.9	647.7	698.5	749.3	800.1
ØF	in	16.875	18.875	22.5	24.375	26.375	28.375	30.375
	mm	428.6	479.4	571.5	619.1	669.9	720.7	771.5
ØG	in	12.13	14.13	16.19	18.19	20.19	22.19	24.19
	mm	308	359	411	462	513	564	614
ØH	in	16.88	18.88	22.25	24.38	26.38	28.38	30.38
	mm	429	479	565	619	670	721	772
I	deg.	12.857	11.25	22.5	15	15	15	11.25
ØJ(Min.)	in	11.9	13.9	15.87	17.87	19.87	21.87	23.87
	mm	302	353	403	454	505	555	606
K1	Dia.	NPT	3/8-18	3/8-18	3/8-18	3/8-18	3/8-18	3/8-18
	Qty.	n°	2	2	2	2	2	2
K2	in	0.31	0.31	0.38	0.38	0.38	0.38	0.38
	mm	8	8	10	10	10	10	10
L	Dia.	in	0.375	0.375	0.5	0.5	0.5	0.5
		mm	10	10	13	13	13	13
	Qty.	n°	14	16	8	12	12	12
M	in	0.69	0.69	0.81	0.81	0.81	0.81	0.81
	mm	17	17	21	21	21	21	21
N	Width	in	3.5	4	5	5	5	5
		mm	89	102	127	127	127	127
	Qty.	N°	12	14	10	11	12	13
Max. Speed	rpm	1800	1800	1550	1400	1300	1250	1200
Centrifuge Loss	psi/rpm ²	12E-06	15E-06	20E-06	23E-06	25E-06	28E-06	30E-06
	bar/rpm ²	0.83E-06	1.04E-06	1.38E-06	1.59E-06	1.73E-06	1.93E-06	2.07E-06
Air Tube Cavity	in ³	80	70	140	160	170	190	200
	dm ³	1.31	1.15	2.3	2.62	2.79	3.12	3.28
Lining Thickness	New	in	0.2	0.2	0.26	0.26	0.26	0.26
		mm	5	5	7	7	7	7
	Worn	in	0.06	0.06	0.06	0.06	0.06	0.06
		mm	2	2	2	2	2	2
Weight	lb	30	35	74	81	88	95	102
	kg	14	16	34	37	40	43	46
Inertia	lbft ²	12	21	52	70	90	114	142
	kgm ²	0.5	0.88	2.18	2.94	3.78	4.79	5.96
Rated Torque at 5.2 bar	lb-in	13300	19700	35200	4400	53600	62300	75000
	N-m	1500	2230	3980	4970	6060	7040	8480

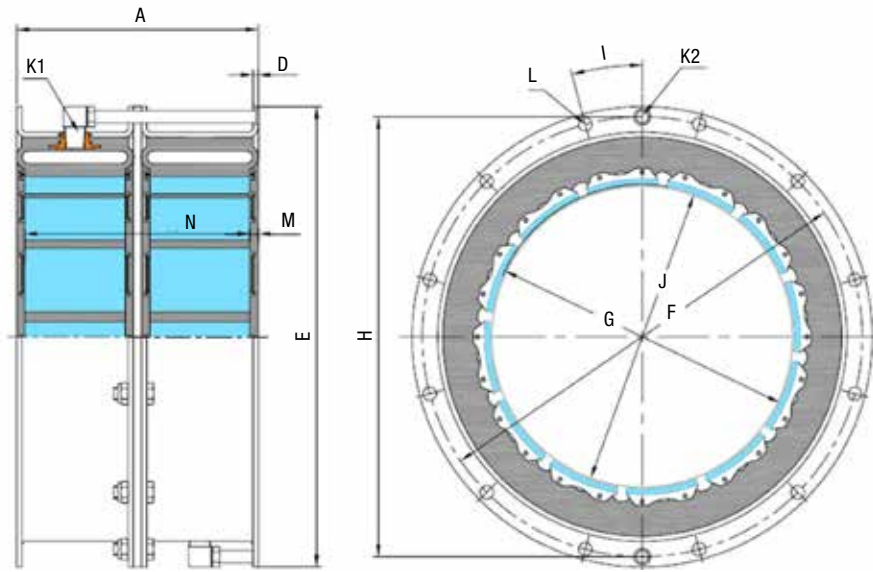
CB

SINGLE CB - DUAL FLANGE

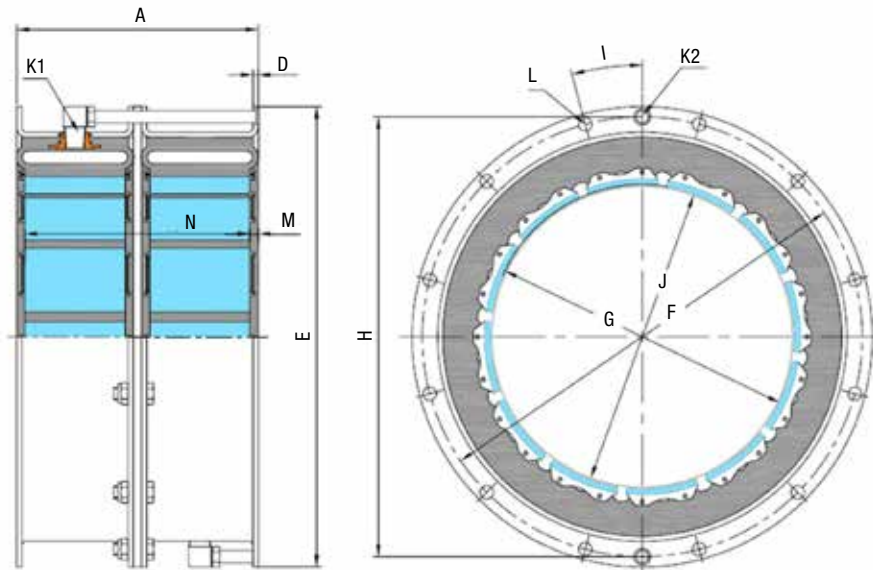
Size 26 to 45



Size	(Unit)	26CB525	28CB525	30CB525	32CB525	36CB525	40CB525	45CB525
A	in	6.94	6.94	6.94	6.94	6.94	6.94	6.94
	mm	176	176	176	176	176	176	176
B	in	31	33	35	37	41.56	45.56	50.69
	mm	787	838	889	940	1056	1157	1287
C	in	2.5	2.5	2.5	2.5	2.75	2.75	2.75
	mm	64	64	64	64	70	70	70
D	in	0.25	0.25	0.25	0.25	0.28	0.28	0.28
	mm	6	6	6	6	7	7	7
ØE	in	34	36	38	40	44.625	48.625	53.625
	mm	863.6	914.4	965.2	1016	1133.5	1235.1	1362.1
ØF	in	32.75	34.75	36.75	38.75	43.125	47.125	52.125
	mm	831.9	882.7	933.5	984.3	1095.4	1197	1324
ØG	in	26.19	28.19	30.19	32.19	36.19	40.19	45.19
	mm	665	716	767	818	919	1021	1148
ØH	in	32.5	34.5	36.5	38.5	43.25	47.25	52.25
	mm	826	876	927	978	1099	1200	1327
I	deg.	11.25	11.25	11.25	10/5	10/5	9	7.5
ØJ(Min.)	in	25.81	27.81	29.81	31.81	35.81	39.81	44.75
	mm	656	706	757	808	910	1011	1137
K1	Dia.	NPT	1/2-14	1/2-14	1/2-14	3/4-14	3/4-14	3/4-14
	Qty.	n°	2	2	2	1/2/4	2	2
K2	in	0.5	0.5	0.5	0.5	0.63	0.63	0.63
	mm	13	13	13	13	16	16	16
L	Dia.	in	0.625	0.625	0.625	0.625	0.75	0.75
		mm	16	16	16	16	19	19
	Qty.	n°	16	16	16	18	18	20
M	in	0.84	0.84	0.84	0.84	0.84	0.84	0.84
	mm	21	21	21	21	21	21	21
N	Width	in	5.25	5.25	5.25	5.25	5.25	5.25
		mm	133	133	133	133	133	133
	Qty.	n°	16	17	18	19	22	24
Max. Speed	rpm	1050	1000	950	900	800	750	670
Centrifuge Loss	psi/rpm ²	34E-06	37E-06	40E-06	43E-06	48E-06	52E-06	64E-06
	bar/rpm ²	2.35E-06	2.55E-06	2.77E-06	2.97E-06	3.31E-06	3.59E-06	4.42E-06
Air Tube Cavity	in ³	260	280	290	310	350	380	430
	dm ³	4.26	4.59	4.76	5.08	5.74	6.23	7.05
Lining Thickness	New	in	0.33	0.33	0.33	0.33	0.33	0.33
		mm	8	8	8	8	8	8
	Worn	in	0.06	0.06	0.06	0.06	0.06	0.06
		mm	2	2	2	2	2	2
Weight	lb	133	140	148	157	178	201	610
	kg	60	63	67	71	81	91	119
Inertia	lbft ²	210	252	303	359	510	730	1115
	kgm ²	8.82	10.58	12.73	15.08	21.42	30.66	46.83
Rated Torque at 5.2 bar	lb-in	92400	106000	121000	137000	172000	211000	260000
	N-m	10400	12000	13700	15500	19400	23800	29400

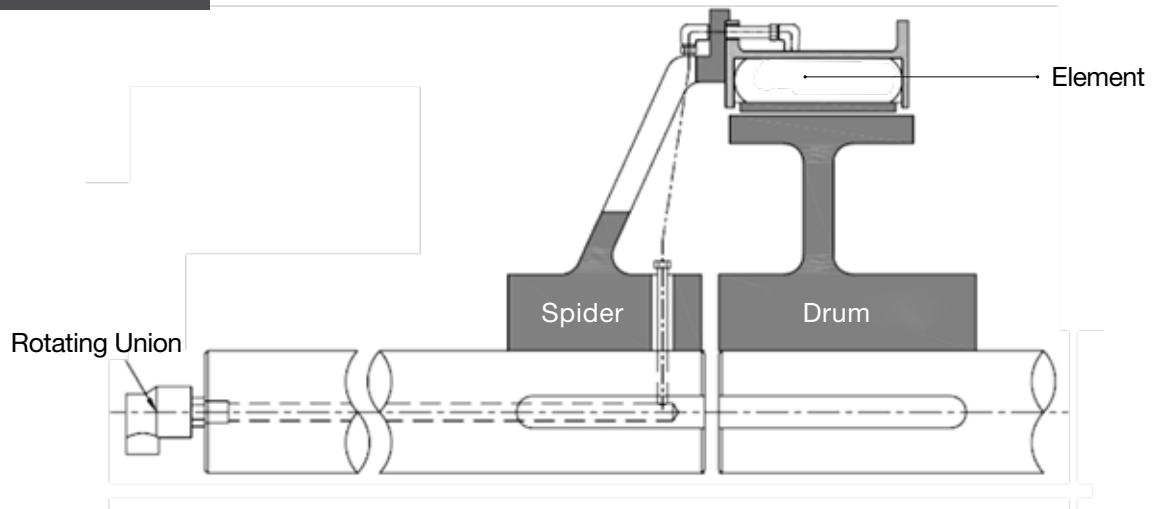


Size	(Unit)	12CB350	14CB400	16CB500	18CB500	20CB500	22CB500	24CB500
A	in	10.13	11.13	13.63	13.63	13.63	13.63	13.63
	mm	257	283	346	346	346	346	346
D	in	0.19	0.19	0.19	0.19	0.19	0.19	0.19
	mm	5	5	5	5	5	5	5
ØE	in	17.625	19.625	23.5	25.5	27.5	29.5	31.5
	mm	447.7	498.5	596.9	647.7	698.5	749.3	800.1
ØF	in	16.875	18.875	22.5	24.375	26.375	28.375	30.375
	mm	428.6	479.4	571.5	619.1	669.9	720.7	771.5
ØG	in	12.13	14.13	16.19	18.19	20.19	22.19	24.19
	mm	308	359	411	462	513	564	614
ØH	in	16.88	18.88	22.25	24.38	26.38	28.38	30.38
	mm	429	479	565	619	670	721	772
I	deg	12.857	11.25	22.5	15	15	15	11.25
ØJ(Min.)	in	11.9	13.9	15.87	17.87	19.87	21.87	23.87
	mm	302	353	403	454	505	555	606
K1	Dia.	NPT	3/8-18	3/8-18	3/8-18	3/8-18	3/8-18	3/8-18
	Qty.	N	2	2	2/4	2/4	2/4	2/4
K2	in	0.31	0.31	0.38	0.38	0.38	0.38	0.38
	mm	8	8	10	10	10	10	10
L	Dia.	in	0.375	0.375	0.5	0.5	0.5	0.5
		mm	10	10	13	13	13	16
	Qty.	n°	14	16	8	12	12	12
M	in	0.69	0.69	0.81	0.81	0.81	0.81	0.81
	mm	17	17	21	21	21	21	21
N	Width	in	8.75	9.75	12	12	12	12
		mm	222	248	305	305	305	305
	Qty.	n°	24	28	20	22	24	26
Max. Speed	rpm	1800	1800	1550	1400	1300	1250	1200
Centrifuge Loss	psi/rpm ²	12E-06	15E-06	20E-06	23E-06	25E-06	28E-06	30E-06
	bar/rpm ²	0.83E-06	1.04E-06	1.38E-06	1.59E-06	1.73E-06	1.93E-06	2.07E-06
Air Tube Cavity	in ³	160	140	280	320	340	380	400
	dm ³	2.62	2.3	4.59	5.25	5.58	6.23	6.56
Lining Thickness	New	in	0.2	0.2	0.26	0.26	0.26	0.26
		mm	5	5	7	7	7	7
	Worn	in	0.06	0.06	0.06	0.06	0.06	0.06
	mm	2	2	2	2	2	2	
Weight	lb	62	75	151	166	180	194	209
	kg	28	34	68	75	82	88	96
Inertia	lbft ²	25	42	106	144	185	233	292
	kgm ²	1.05	1.76	4.45	6.05	7.77	9.79	12.26
Rated Torque at 5.2 bar	lb in	26600	39400	70400	88000	107200	124600	150000
	Nm	3010	4450	7960	9940	12100	14100	17000

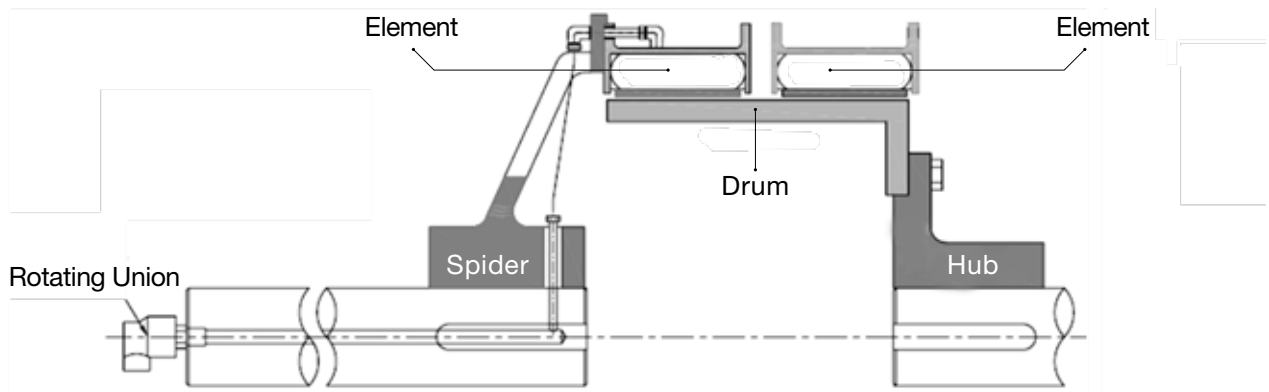


Size	(Unit)	26CB525	28CB525	30CB525	32CB525	36CB525	40CB525	45CB525
A	in	14.25	14.44	14.44	14.44	14.44	14.44	14.44
	mm	362	367	367	367	367	367	367
D	in	0.25	0.25	0.25	0.25	0.28	0.28	0.28
	mm	6	6	6	6	7	7	7
ØE	in	34	36	38	40	44.625	48.625	53.625
	mm	863.6	914.4	965.2	1016	1133.5	1235.1	1362.1
ØF	in	32.75	34.75	36.75	38.75	43.125	47.125	52.125
	mm	831.9	882.7	933.5	984.3	1095.4	1197	1324
ØG	in	26.19	28.19	30.19	32.19	36.19	40.19	45.19
	mm	665	716	767	818	919	1021	1148
ØH	in	32.5	34.5	36.5	38.5	43.25	47.25	52.25
	mm	826	876	927	978	1099	1200	1327
I	deg	11.25	11.25	11.25	10/5	10/5	9	7.5
ØJ(Min.)	in	25.81	27.81	29.81	31.81	35.81	39.81	44.75
	mm	656	706	757	808	910	1011	1137
K1	Dia.	NPT	1/2-14	1/2-14	1/2-14	3/4-14	3/4-14	3/4-14
	Qty.	N	2/4	2/4	2/4	2/4	2/4	2/4
K2	in	0.5	0.5	0.5	0.5	0.63	0.63	0.63
	mm	13	13	13	13	16	16	16
L	Dia.	in	0.625	0.625	0.625	0.625	0.75	0.75
		mm	16	16	16	16	19	19
	Qty.	n°	16	16	16	18	18	20
M	in	0.84	0.84	0.84	0.84	0.84	0.84	0.84
	mm	21	21	21	21	21	21	21
N	Width	in	12.56	12.69	12.69	12.69	12.69	12.69
		mm	319	322	322	322	322	322
	Qty.	n°	32	34	36	38	44	48
Max. Speed	rpm	1050	1000	950	900	800	750	670
Centrifuge Loss	psi/rpm ²	34E-06	37E-06	40E-06	43E-06	48E-06	52E-06	64E-06
	b ² r/rpm ²	2.35E-06	2.55E-06	2.776E-06	2.97E-06	3.31E-06	3.59E-06	4.42E-06
Air Tube Cavity	in ³	520	560	580	620	700	760	860
	dm ³	8.53	9.18	9.51	10.2	11.5	12.5	14.1
Lining Thickness	New	in	0.33	0.33	0.33	0.33	0.33	0.33
		mm	8	8	8	8	8	8
	Worn	in	0.06	0.06	0.06	0.06	0.06	0.06
	mm	2	2	2	2	2	2	
Weight	lb	272	286	302	321	366	413	537
	kg	123	130	137	145	166	187	243
Inertia	lbf ²	432	517	621	736	1052	1502	2293
	kgm ²	18.14	21.71	26.08	30.91	44.18	63.08	96.31
Rated Torque at 5.2 bar	lb in	184800	212000	242000	274000	344000	422000	520000
	Nm	20900	24000	27300	31000	38900	47700	58800

Single Clutch



Dual Clutch



Brake

