



Serie/Series

HD

Giunti rotanti due vie indipendenti
Rotary Union Two Independent Directions

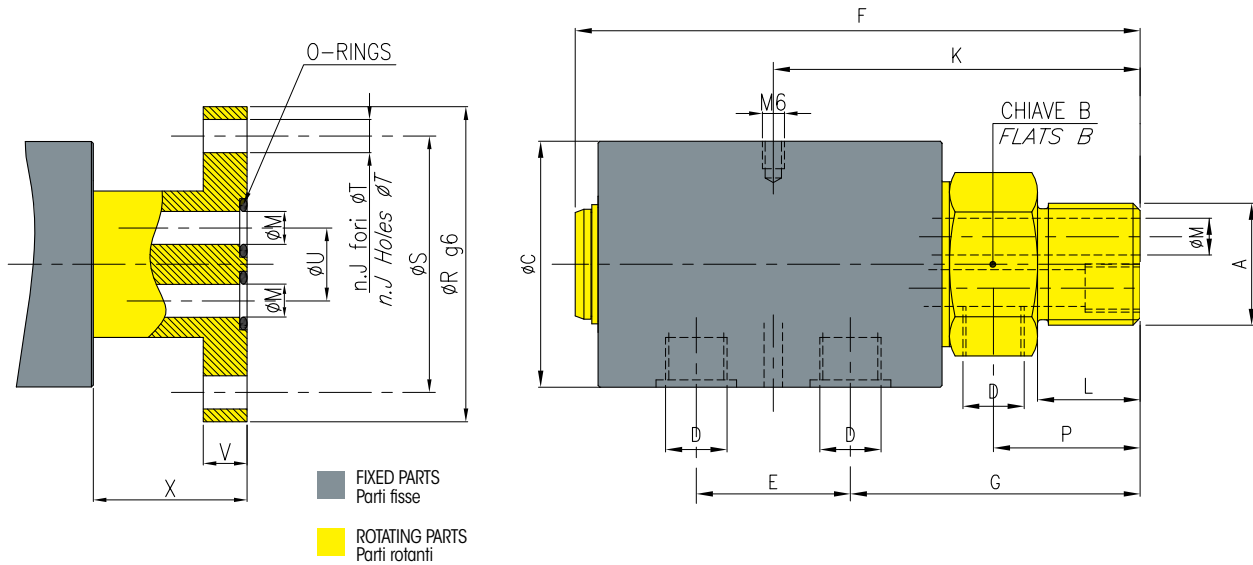


The HD series is designed for mounting in a coil machine. However, it is a product that can be used in a variety of applications, whenever a rotary union is necessary with two directions and high pressure capability up to 350 bar.

The alignment and precision are guaranteed by the use of a ball bearing. The external housing is made of aluminum while the internal rotor is made from nickel-plated carbon steel.

I giunti della serie HD sono progettati principalmente per il montaggio su ASPI, ma essendo un prodotto universale consente l'utilizzo su svariate applicazioni, dove si richiede un giunto due vie indipendenti con pressioni fino a 350 bar e qualsiasi tipo di fluido (olio idraulico, acqua, aria...). L'assialità e la precisione sono garantite dai cuscinetti a sfera. I materiali costruttivi sono, alluminio anodizzato per la parte esterna (corpo) e acciaio al carbonio trattato al niprolo per parte interna (rotore).



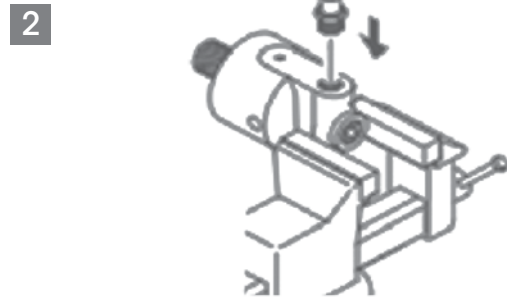
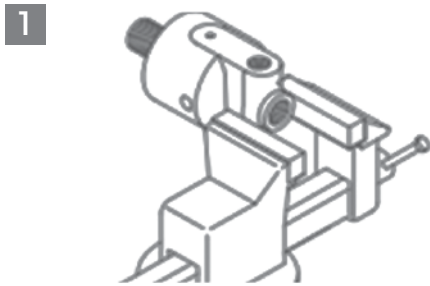


CODE codice	A	B	C	D	E	F	G	J	K
HDD025-GY6GS	3/4" BSP	50	$\frac{67}{2,637}$	1/4" BSP	$\frac{41}{1,614}$	$\frac{154}{6,062}$	$\frac{80}{3,149}$	/	$\frac{101}{3,976}$
HD0025-GY6LS	FLANGED fangiato	/	$\frac{67}{2,637}$	1/4" BSP	$\frac{41}{1,614}$	$\frac{146}{5,748}$	$\frac{73}{2,874}$	4	$\frac{93}{3,661}$
HDD037-GY6GS	1" BSP	50	$\frac{67}{2,637}$	3/8" BSP	$\frac{41}{1,614}$	$\frac{158}{6,220}$	$\frac{84}{3,307}$	/	$\frac{105}{4,133}$
HD0037-GY6LS	FLANGED fangiato	/	$\frac{67}{2,637}$	3/8" BSP	$\frac{41}{1,614}$	$\frac{146}{5,748}$	$\frac{73}{2,874}$	4	$\frac{93}{3,661}$
HDD050-GY6GS	1" 1/4 BSP	60	$\frac{79}{3,110}$	1/2" BSP	$\frac{53}{2,086}$	$\frac{178}{7,007}$	$\frac{91}{3,582}$	/	$\frac{118}{4,645}$
HD0050-GY6LS	FLANGED fangiato	/	$\frac{79}{3,110}$	1/2" BSP	$\frac{53}{2,086}$	$\frac{173}{6,811}$	$\frac{86,5}{3,405}$	4	$\frac{113}{4,448}$
HDD075-GY6GS	1" 1/2 BSP	65	$\frac{88}{3,464}$	3/4" BSP	$\frac{59}{2,322}$	$\frac{215}{8,464}$	$\frac{113}{4,448}$	/	$\frac{143}{5,629}$
HD0075-GY6LS	FLANGED fangiato	/	$\frac{108}{4,251}$	3/4" BSP	$\frac{59}{2,322}$	$\frac{233}{9,173}$	$\frac{126}{4,960}$	6	$\frac{156}{6,141}$

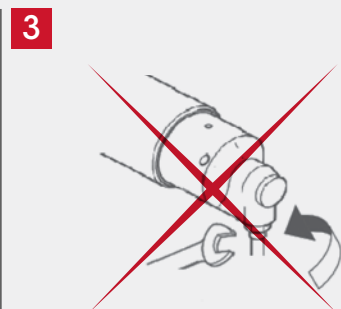
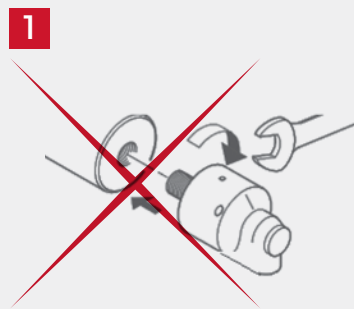
CODE codice	L	M	P	R(g6)	S	T	U	V
HDD025-GY6GS	$\frac{24}{0,944}$	/	$\frac{36}{1,417}$	/	/	/	/	/
HD0025-GY6LS	/	$\frac{8}{0,314}$	/	$\frac{86}{3,385}$	$\frac{70}{2,755}$	$\frac{9}{0,354}$	$\frac{20}{0,787}$	$\frac{12}{0,472}$
HDD037-GY6GS	$\frac{28}{1,102}$	/	$\frac{40}{1,574}$	/	/	/	/	/
HD0037-GY6LS	/	$\frac{10}{0,393}$	/	$\frac{86}{3,385}$	$\frac{70}{2,755}$	$\frac{9}{0,354}$	$\frac{20}{0,787}$	$\frac{12}{0,472}$
HDD050-GY6GS	$\frac{29}{1,141}$	/	$\frac{44}{1,732}$	/	/	/	/	/
HD0050-GY6LS	/	$\frac{12,5}{0,492}$	/	$\frac{108}{4,251}$	$\frac{88}{3,464}$	$\frac{11}{0,43}$	$\frac{20,5}{0,807}$	$\frac{16}{0,629}$
HDD075-GY6GS	$\frac{30}{1,181}$	/	$\frac{51}{2,007}$	/	/	/	/	/
HD0075-GY6LS	/	$\frac{19}{0,748}$	/	$\frac{148}{5,826}$	$\frac{126}{4,960}$	$\frac{13,5}{0,521}$	$\frac{33}{1,299}$	$\frac{25}{0,984}$



HOW TO INSTALL // COME INSTALLARE



HOW TO NOT INSTALL // COME NON INSTALLARE



PIPES MUST BE FLEXIBLE!
ITUBI DEVONO ESSERE FLESSIBILI