



*Serie/Series*

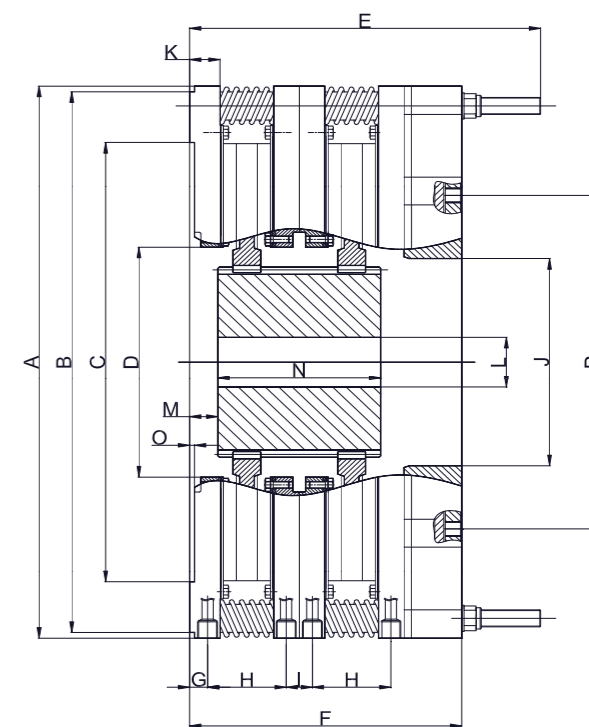
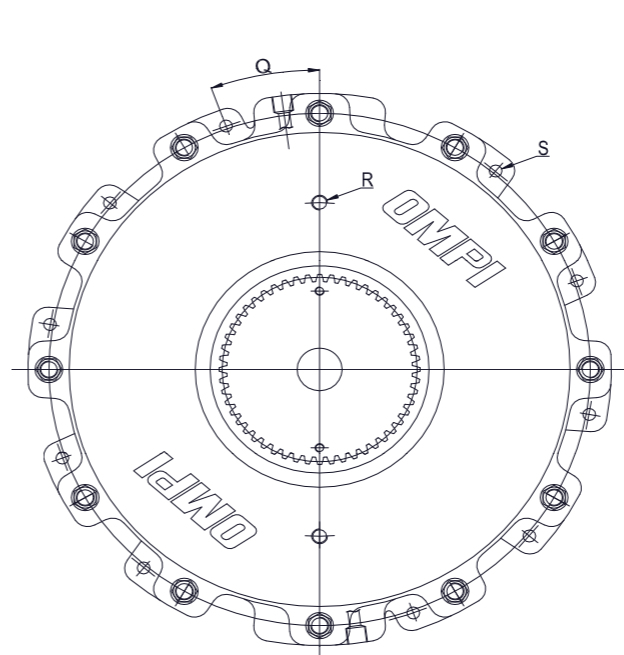
# LCB-LCC

**Frizioni e freni multidisco  
raffreddati ad acqua**

*Water Cooled Brakes and Clutch*



TIPO TYPE	LCB-LCC 18	LCB-LCC 19	LCB-LCC 24	LCB-LCC 25	LCB-LCC 36	
	mm	mm	mm	mm	mm	
A	600,0	625,6	778,0	808,0	1139,5	
B	590,5	590,5	761,9	761,9	1130,2	
C	463,5	463,5	619,0	619,0	466,7	
D	280,0	292,0	324,0	338,0	419,0	
E	1	210,7	210,7	283,0	284,0	346,5
	2	340,5	340,5	468,0	470,0	538,5
	3	472,1	472,1	658,0	661,0	750,5
	4	602,8	602,8	847,0	851,0	947,5
F	1	170,7	170,7	223,2	224,2	281,5
	2	271,4	271,4	362,9	364,9	458,5
	3	372,1	372,1	502,6	505,6	635,5
	4	472,8	472,8	642,3	646,3	812,5
G	21,0	21,0	24,0	25,0	35,0	
H	71,7	71,7	104,7	103,7	121,0	
J	216	238,6	292,0	312,0	419,0	
K	33,5	33,5	40,5	41,5	60,0	
I	29,0	29,0	35,0	37,0	56,0	
L	Min	57,0	57,0	70,0	70,0	101,0
	Max	136,0	136,0	178,0	178,0	257,0
N	1	50,0	51,0	77,0	77,0	71,0
	2	151,0	151,0	217,0	217,0	256,0
	3	252,0	252,0	356,5	358,0	433,0
	4	353,0	353,0	500,0	500,0	610,0
M	31,75	31,75	37,7	38,7	60,3	
O	6,5	6,5	6,5	6,5	7,0	
P	363,0	363,0	470,0	471,0	711,2	
Q	20°	20°	20°	20°	14,5°	
R	N°	2	2	2	2	3
	Taglia/Size	1/2"	1/2"	1/2"	1/2"	1/2"
	∅	360,0	360,0	470,0	470,0	711,2
S	N°	10	10	10	10	14
	Taglia/Size	16	16	16	16	27
	∅	558,8	558,8	730,2	730,2	1066,8



TAGLIA SIZE	Coppia freno 7 Bar Brake torque 7 Bar		Velocità max Max speed	Flusso dell'acqua Water flow	Inerzia Inertia	Peso Weight
	Alto coef / High Coeff	Basso coef / Low Coeff				
	Nm	Nm	rpm	L/min	Kgm 2	Kg
118	7950	3600	850	45	0,75	189,0
218	15800	7220	850	91	1,57	281,0
318	23800	10800	850	136	2,36	395,0
418	31800	14400	850	181	3,17	503,0
119	9100	4140	850	45	0,92	213,0
219	18200	8280	850	91	1,95	298,0
319	27300	12420	850	136	2,97	405,0
419	36400	16560	850	181	3,99	510,0
124	18400	8350	640	102	4,13	386,0
224	36800	16700	640	205	8,84	654,0
324	55200	25050	640	307	12,83	920,0
424	73600	33400	640	409	17,19	1189,0
125	19800	8900	640	102	4,61	525,0
225	39600	17800	640	205	9,57	710,0
325	59400	26700	640	307	14,52	962,0
425	78200	35600	640	409	19,48	1250,0
136	60700	21500	425	246	21,94	1110,5
236	121400	55000	425	492	21,94	1883,0
336	182100	82500	425	738	25,15	2656,5
436	242800	110000	425	984	28,82	3462,0

Quando i ferodi si consumano è possibile recuperare il gioco rimuovendo gli spessori(A)  
*When the friction material wears, it is possible to compensate the gap removing the spacers(A)*

